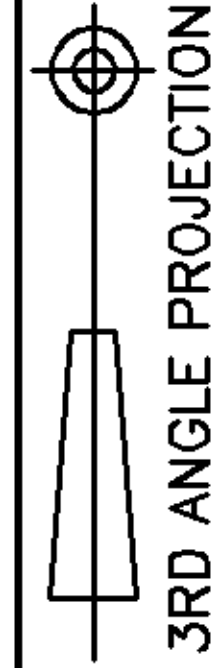


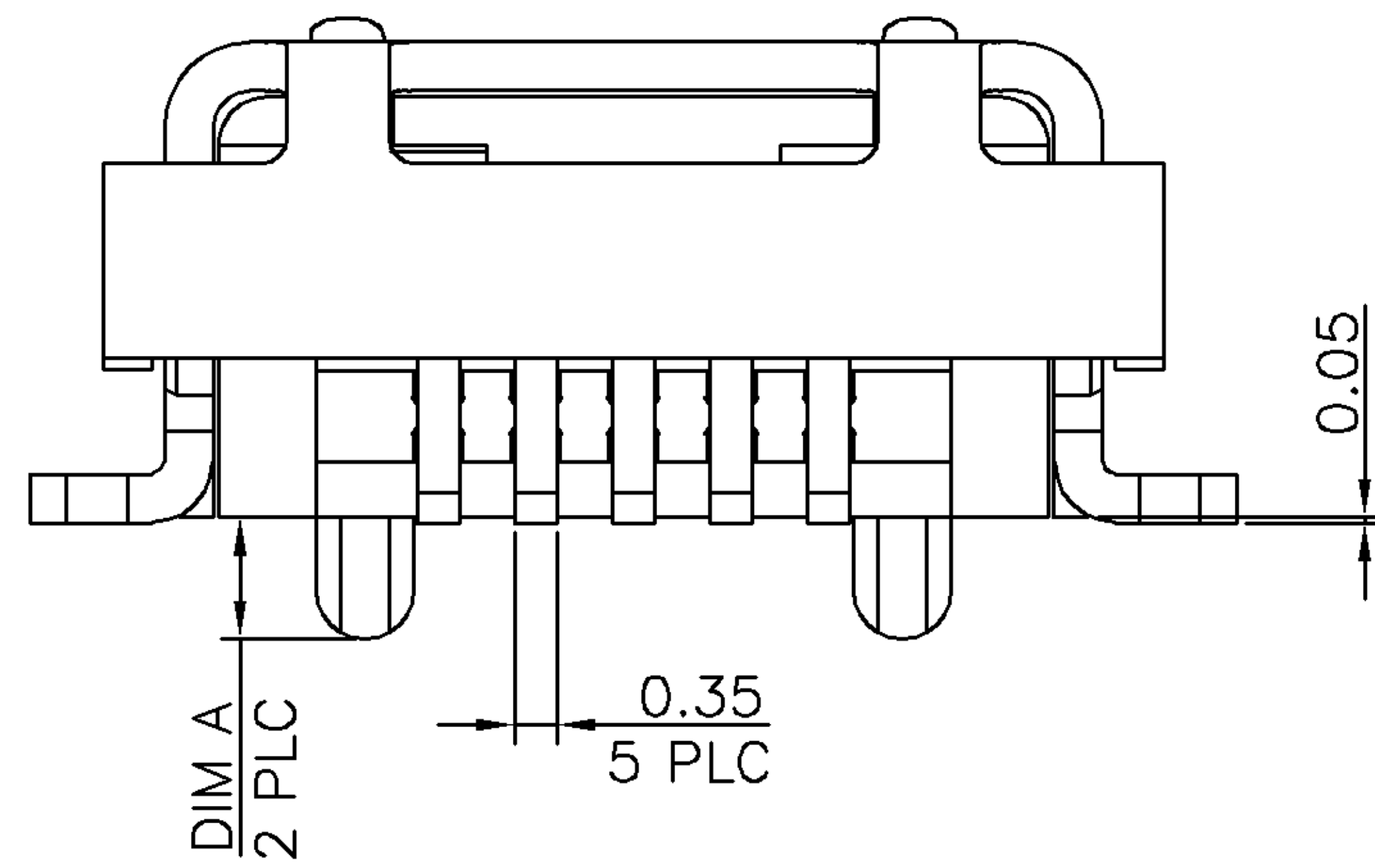
THIS INFORMATION IS CONFIDENTIAL AND IS DISCLOSED TO YOU ON CONDITION THAT NO FURTHER DISCLOSURE IS MADE BY YOU TO OTHER THAN AMP PERSONNEL WITHOUT WRITTEN AUTHORIZATION FROM AMP (TAIWAN) LTD. DIMENSIONS IN MILLIMETERS. DO NOT SCALE PRINT.

PRINT DIST
DW

METRIC

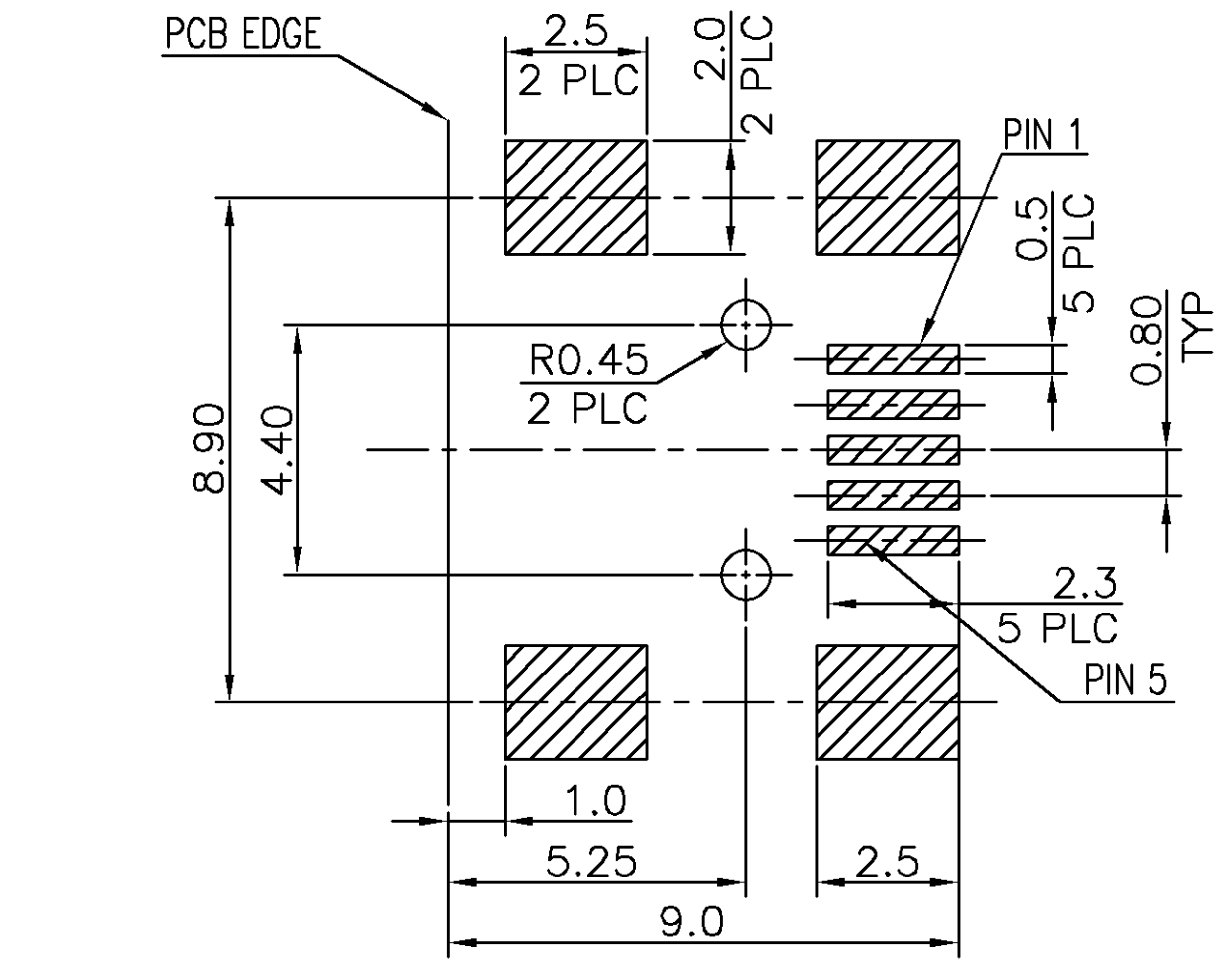
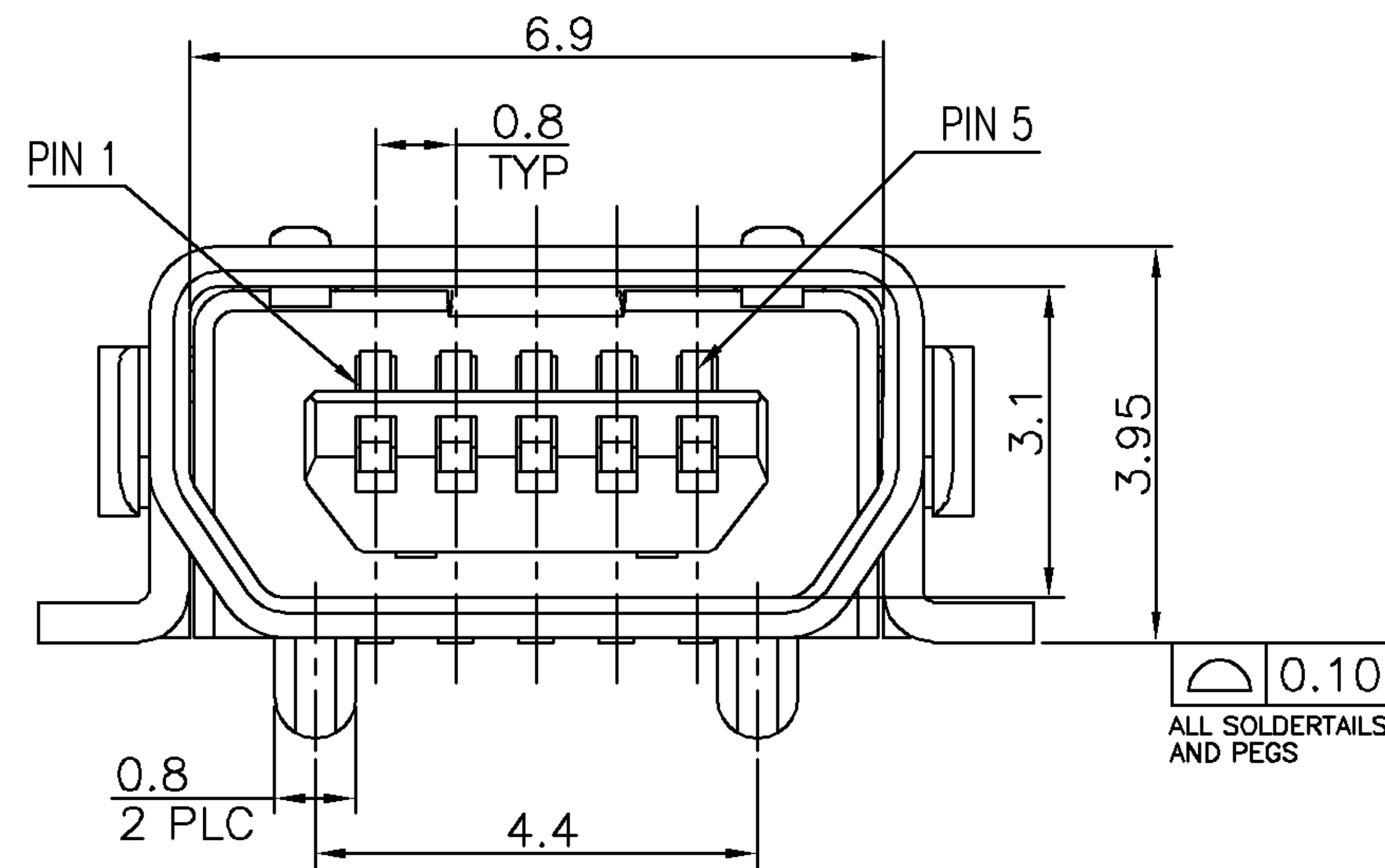
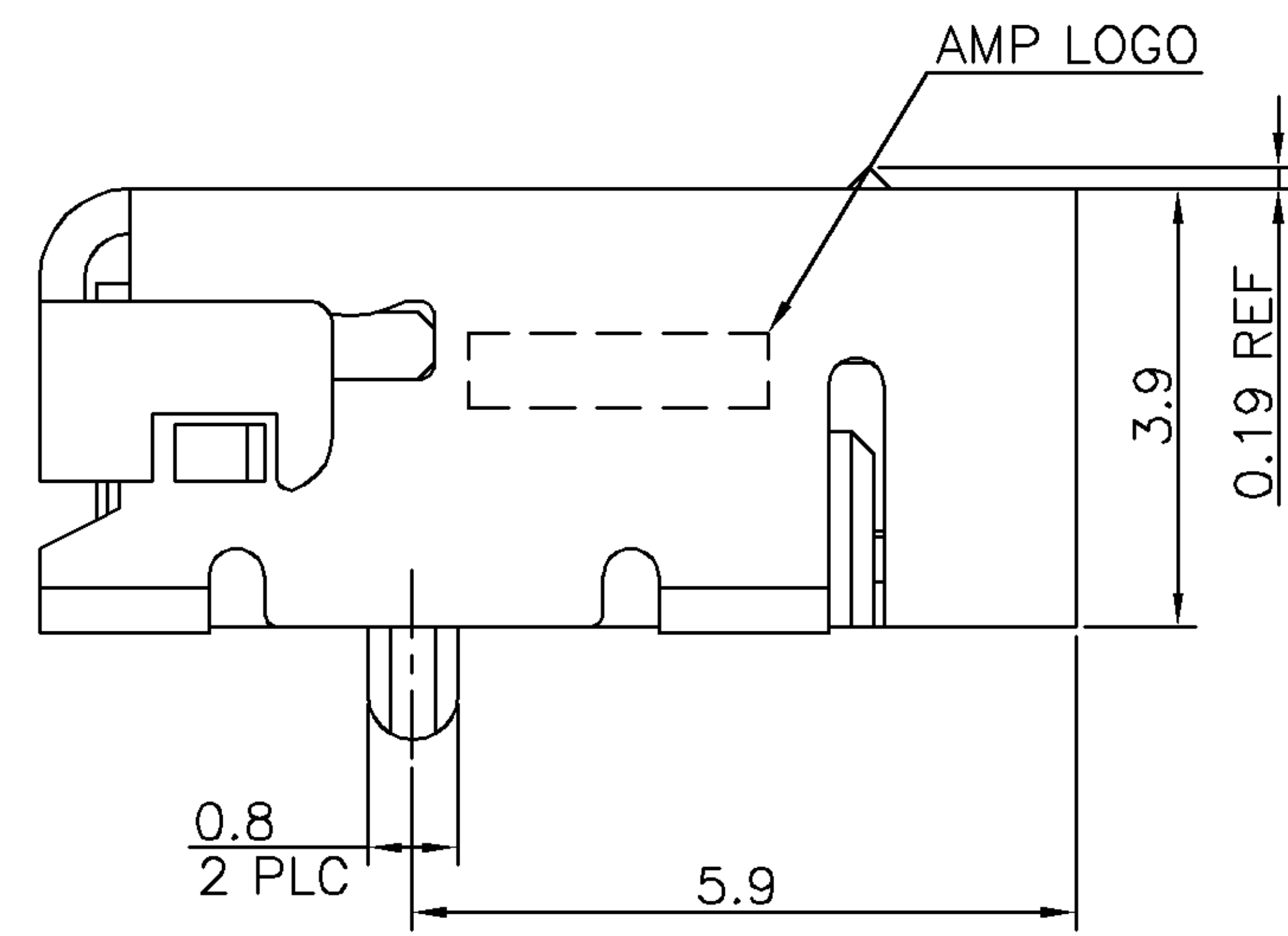
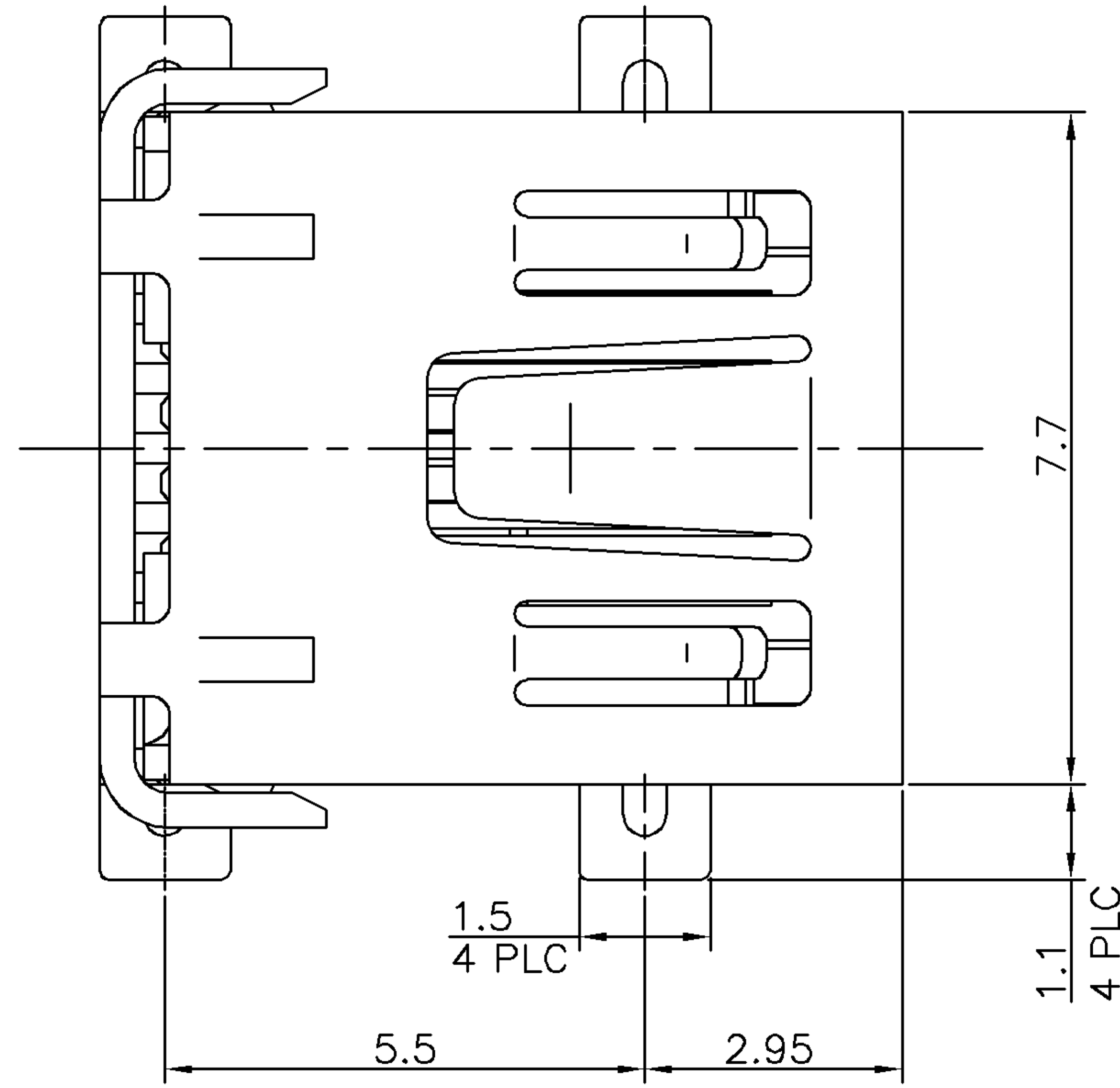


NUMBER
C-1734328



NOTE:

- MATERIAL:**
HOUSING: THERMOPLASTIC HIGH TEMPERATURE, UL 94V-0, COLOR: BLACK.
CONTACT: PHOSPHOR BRONZE, THICKNESS=0.25mm.
SHELL: PHOSPHOR BRONZE, THICKNESS=0.40mm.
- FINISH:**
CONTACT: 30u" MIN. GOLD PLATED ON CONTACT AREA, 100u" MIN. TIN-Cu PLATED ON SOLDER TAILS, 50u" MIN. NICKEL UNDERPLATED ALL OVER.
SHELL: 80u" MIN. NICKEL PLATED ALL OVER.
- REFLOW SOLDER CAPABLE TO 260°C PER TYCO SPEC 109-201, CONDITION B.**



RECOMMENDED PCB LAYOUT (MOUNTING SIDE)
(THICKNESS=1.57mm) (TOLERANCE=0.5mm)

A	ADD P/N 1-, -X	ECR-06-002128	OH SH	27JAN 2006
O	FIRST RELEASED		OH SH	25AUG 2005
LTR	REVISION RECORD	ECN	DWN CHK	DATE

TOLERANCES UNLESS OTHERWISE SPECIFIED: 0 PLC ± 0.38 1 PLC ± 0.25 2 PLC ± 0.13 3 PLC ± 0.05 ANGLES ± 3'	DWN O. HU 26-JAN-2006
MATERIAL SEE NOTE	CHK S. HOU 26-JAN-2006
FINISH SEE NOTE	APVD W.J. KE 26-JAN-2006
	PRODUCT SPECIFICATION 108-57062
	QUALIFICATION TEST REPORT 501-57070
	WEIGHT 0.76 gram

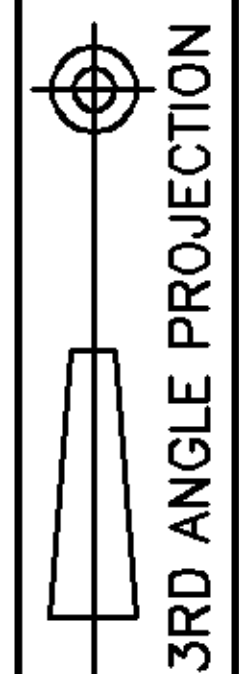
0.6	REEL	1-1734328-2
	TRAY	1-1734328-1
1.0	REEL	1734328-2
	TRAY	1734328-1
DIM A	PACKAGE	PART NUMBER

tyco TYCO HOLDINGS (BERMUDA) VII LTD. TAIWAN BRANCH			
Electronics NAME			
MINI USB CONN., TYPE AB, RCPT 5 POS., RIGHT ANGLE, SMT			
LOC DW	SIZE A ₃	DRAWING NO C-1734328	REV A
SCALE --	SHEET 1 OF 3		

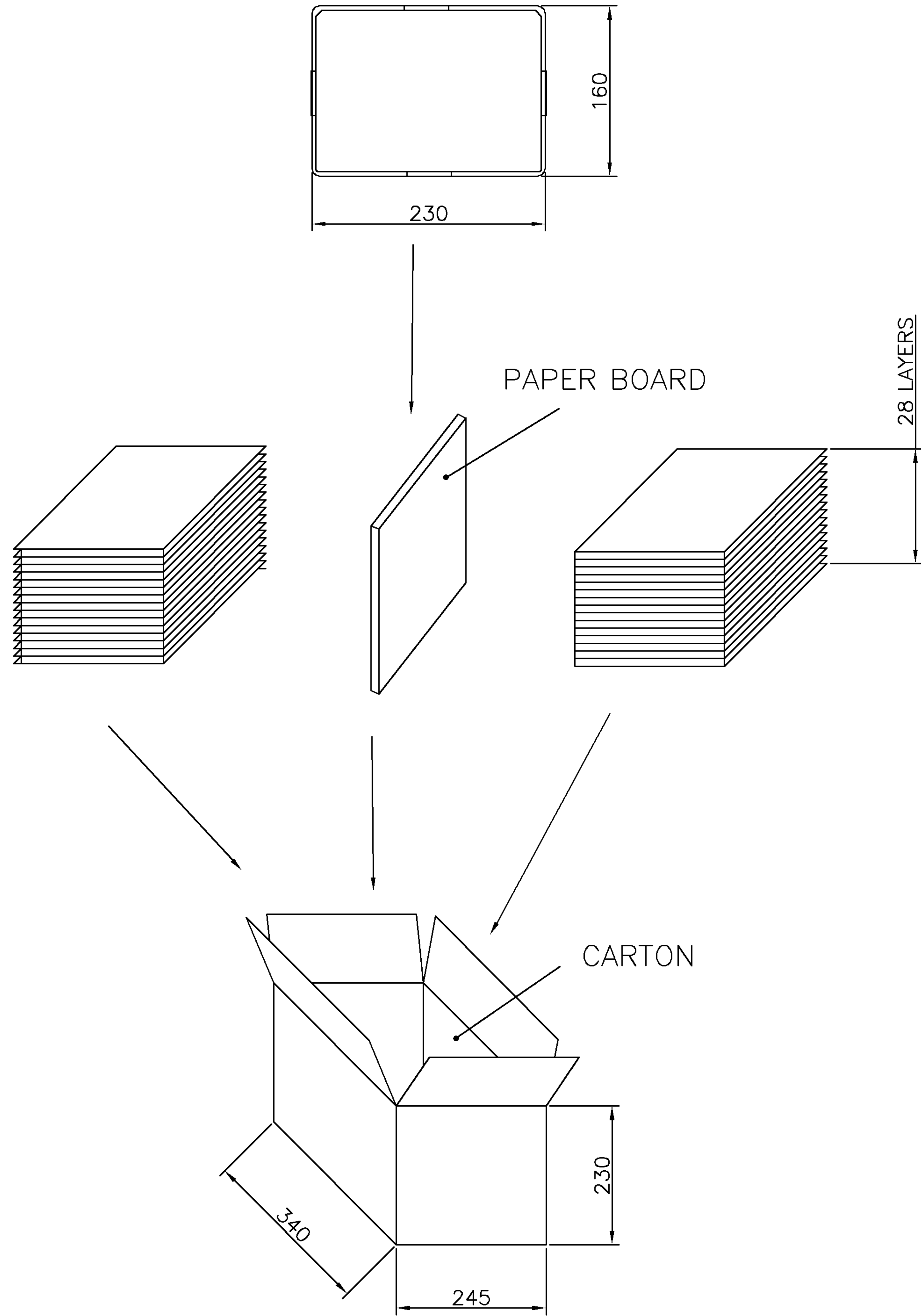
THIS INFORMATION IS CONFIDENTIAL AND IS DISCLOSED TO YOU ON CONDITION THAT NO FURTHER DISCLOSURE IS MADE BY YOU TO OTHER THAN AMP PERSONNEL WITHOUT WRITTEN AUTHORIZATION FROM AMP (TAIWAN) LTD. DIMENSIONS IN MILLIMETERS. DO NOT SCALE PRINT.

PRINT DIST
DW

METRIC



NUMBER
C-1734328



SEE SHEET 1.	ECN	DWN	CHK	DATE
LTR	REVISION RECORD			

TOLERANCES UNLESS OTHERWISE SPECIFIED: 0 PLC ± 1 PLC ± 2 PLC ± 3 PLC ± ANGLES ±	DWN O. HU 26-JAN-2006
MATERIAL SEE NOTE	CHK S. HOU 26-JAN-2006
FINISH SEE NOTE	APVD W.J. KE 26-JAN-2006
	PRODUCT SPECIFICATION -
	QUALIFICATION TEST REPORT -
	WEIGHT

9.2	6.7	8400 (56 TRAYS)	150
G.W(KGS)	N.W(KGS)	QUANTITY/ CARTON	PCS/ TRAY
DWN O. HU 26-JAN-2006		tyco TYCO HOLDINGS (BERMUDA) Electronics VII LTD. TAIWAN BRANCH	
CHK S. HOU 26-JAN-2006		NAME	
APVD W.J. KE 26-JAN-2006		MINI USB CONN., TYPE AB, RCPT 5 POS., RIGHT ANGLE, SMT	
LOC DW	SIZE A ₃	DRAWING NO C-1734328	REV A
SCALE --		SHEET 2 OF 3	

CUSTOMER DRAWING

8

7

6

5

4

3

2

1

D

C

B

A

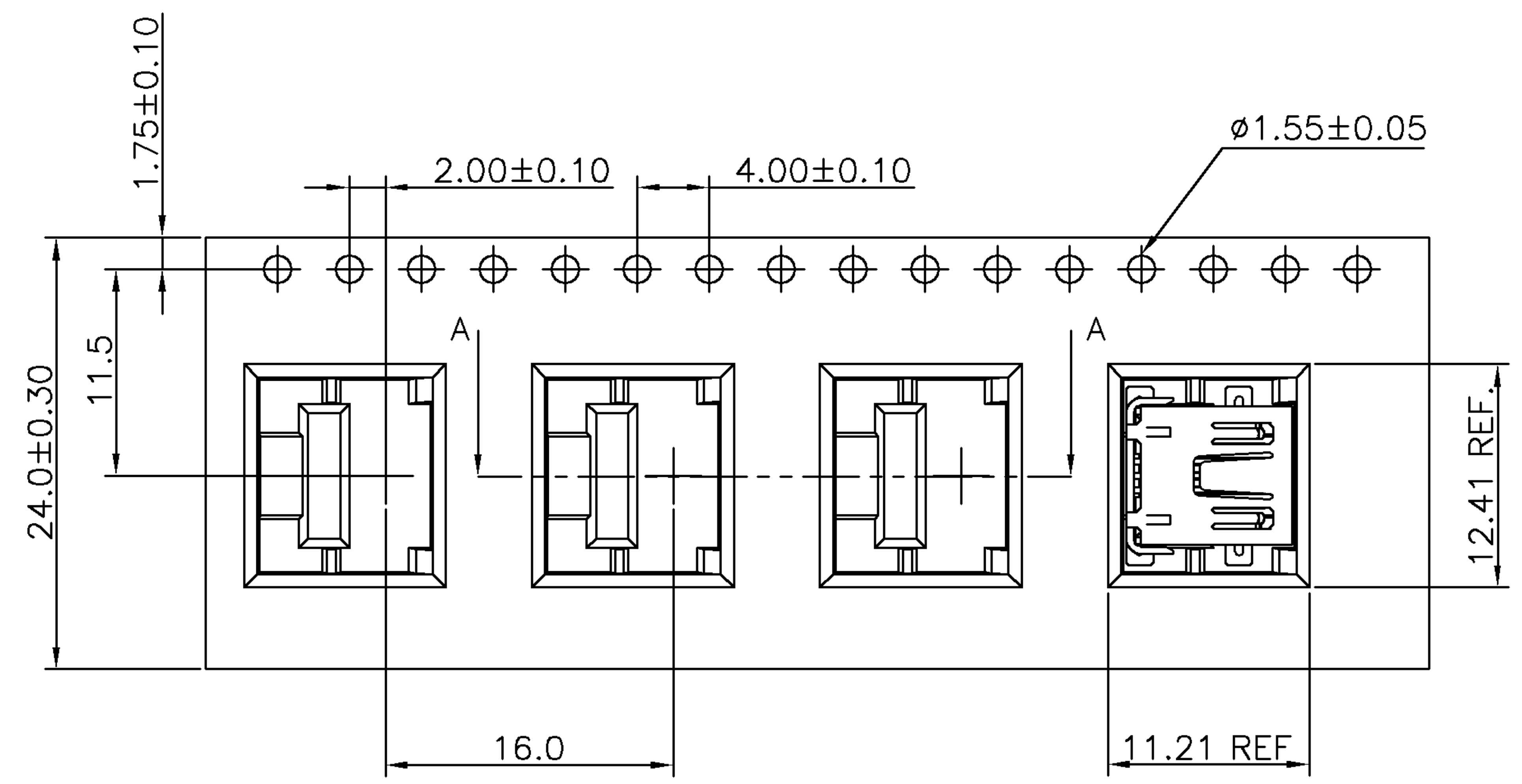
THIS INFORMATION IS CONFIDENTIAL AND IS DISCLOSED TO YOU ON CONDITION THAT NO FURTHER DISCLOSURE IS MADE BY YOU TO OTHER THAN AMP PERSONNEL WITHOUT WRITTEN AUTHORIZATION FROM AMP (TAIWAN) LTD. DIMENSIONS IN MILLIMETERS. DO NOT SCALE PRINT.

NUMBER
C-1734328

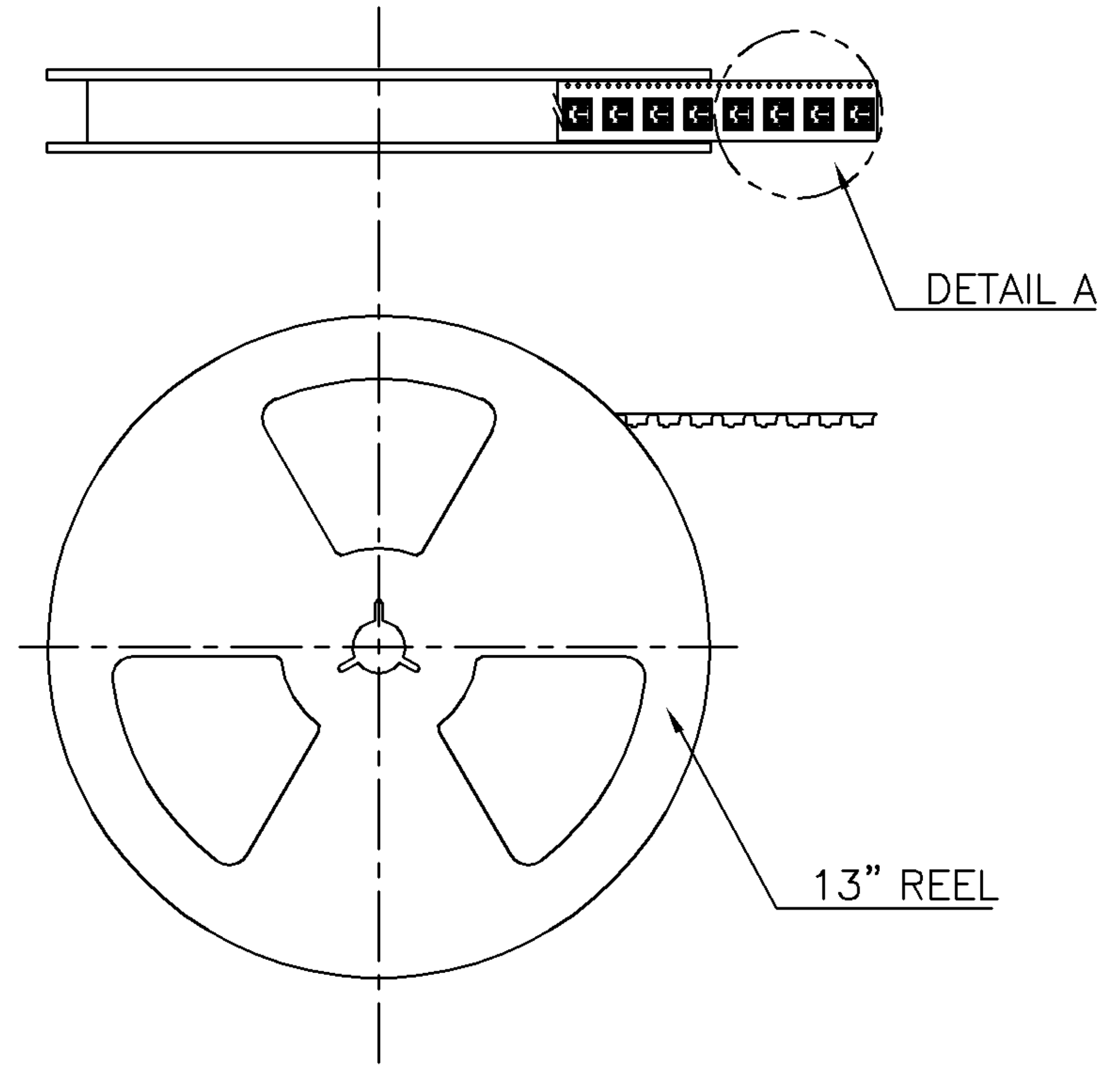
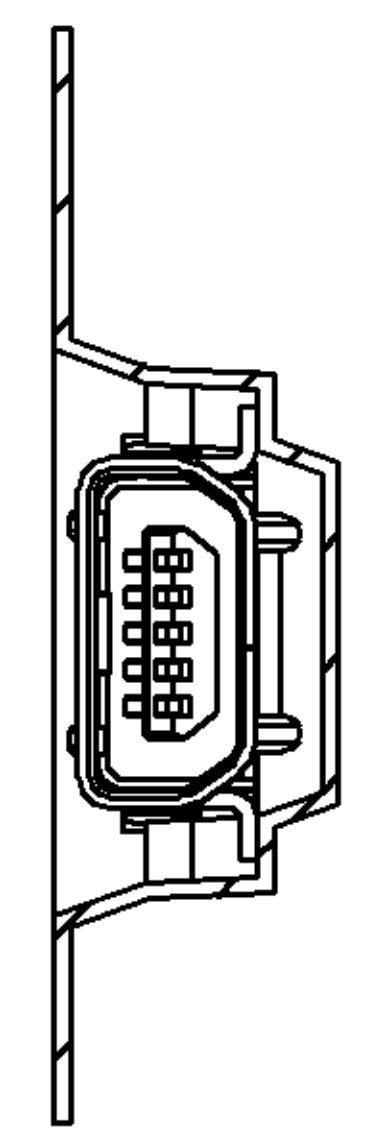
3RD ANGLE PROJECTION

METRIC

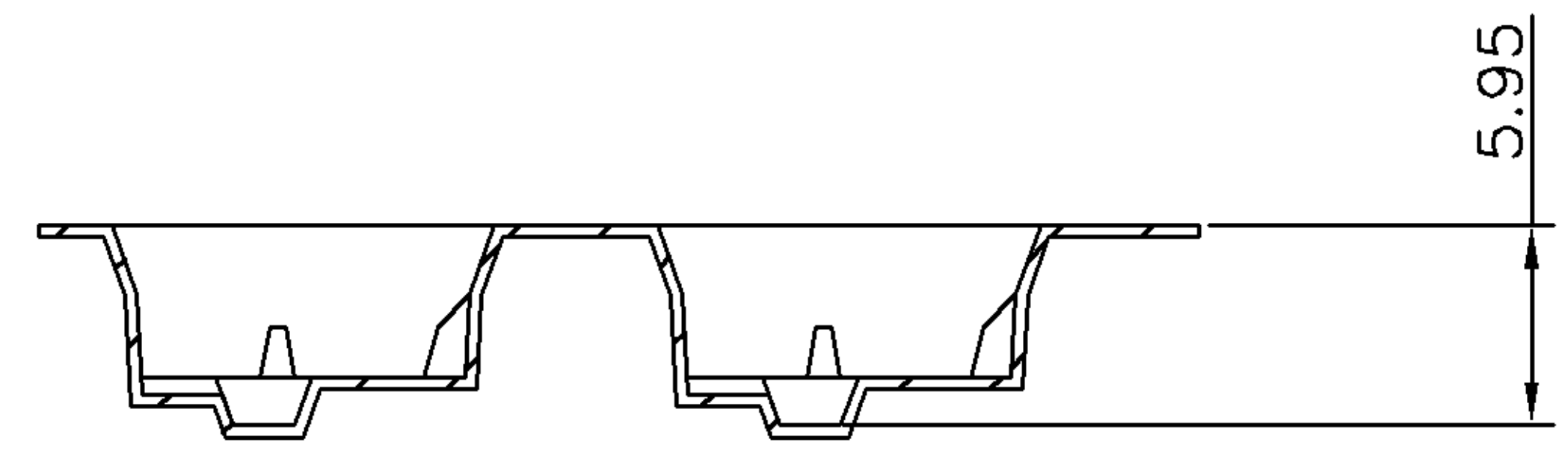
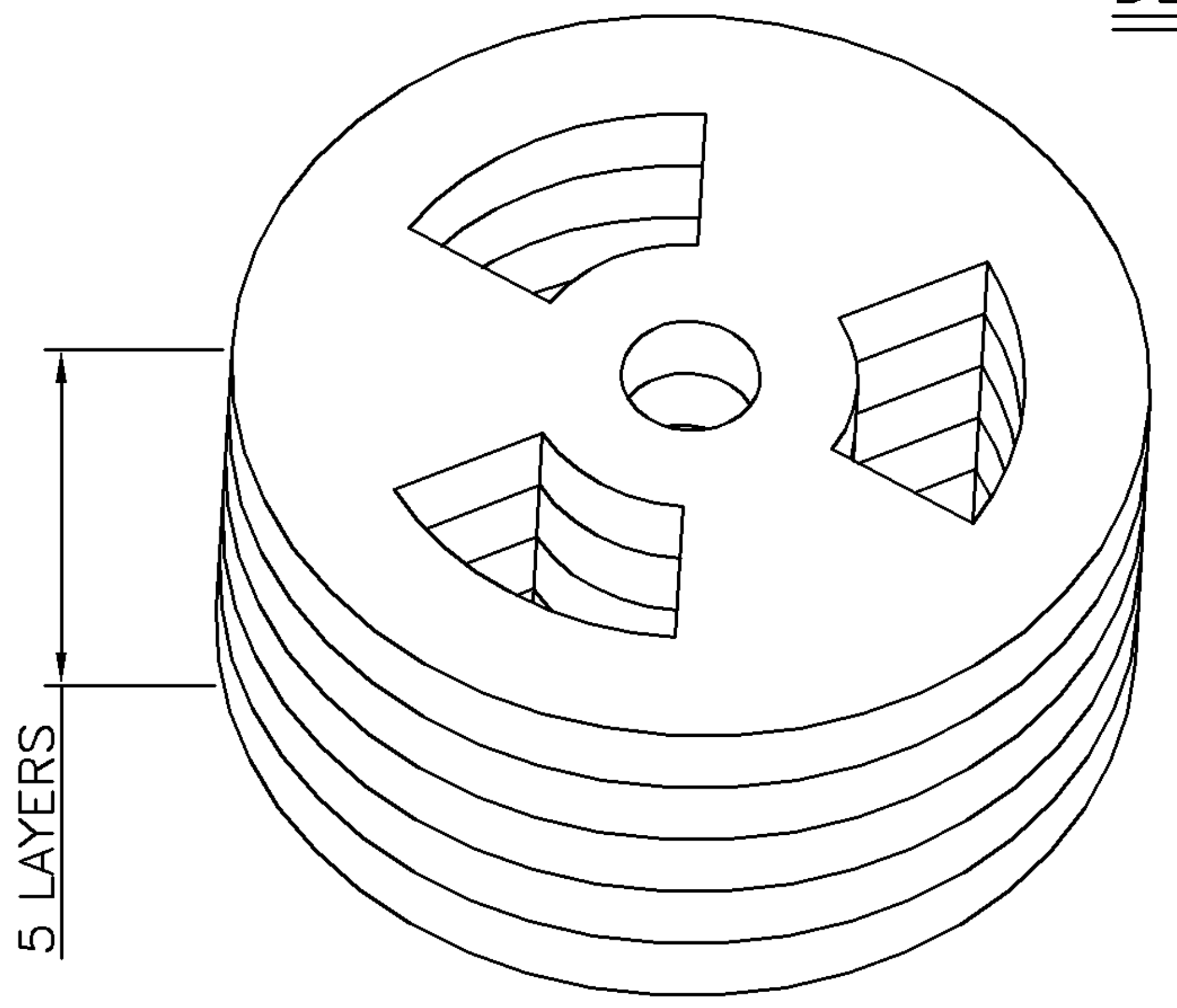
PRINT DIST
DW



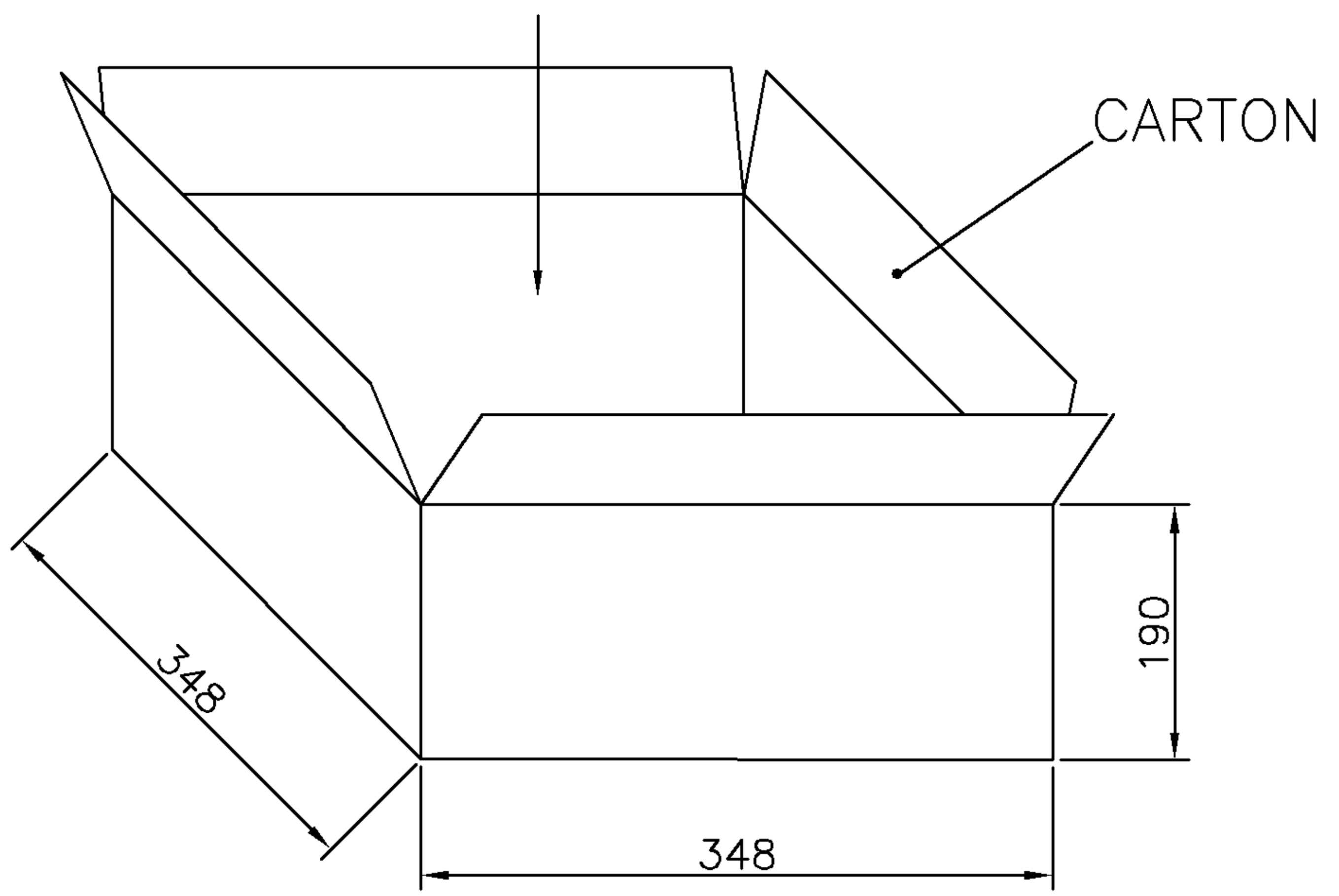
DETAIL A



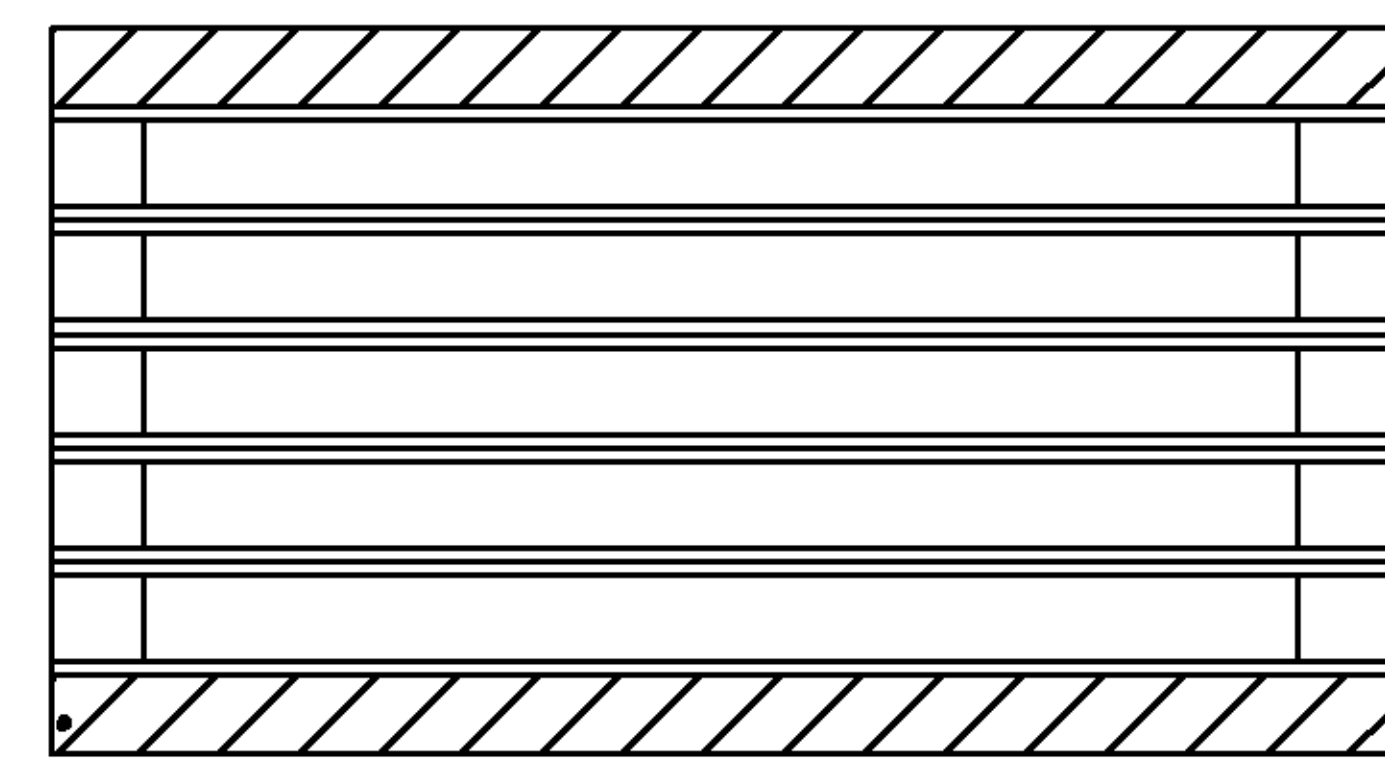
13" REEL



SECTION A-A



CARTON



PACKING BOX

- NOTES:
1. APPLICABLE P/N: 1734328-2
 2. APPLICABLE DOCUMENT: EIA-481-2
 3. PACKAGE: 700 PCS/REEL, 5 REELS/CARTON
W.G.:6.5Kg, N.G.: 5.5Kg
 4. QUANTITY: 3500 PCS.

TOLERANCES UNLESS OTHERWISE SPECIFIED: 0 PLC ± 1 PLC ± 2 PLC ± 3 PLC ± ANGLES ±	DWN	O. HU	tyco TYCO HOLDINGS (BERMUDA) VII LTD. TAIWAN BRANCH
		26-JAN-2006	
MATERIAL SEE NOTE	CHK	S. HOU	NAME MINI USB CONN., TYPE AB, RCPT 5 POS., RIGHT ANGLE, SMT
		26-JAN-2006	
FINISH SEE NOTE	APVD	W.J. KE	LOC SIZE DRAWING NO DW A ₃ C-1734328
		26-JAN-2006	
	PRODUCT SPECIFICATION	-	REV A
	QUALIFICATION TEST REPORT	-	SCALE
	WEIGHT	-	SHEET 3 OF 3

SEE SHEET 1.	ECN	DWN	CHK	DATE
LTR	REVISION RECORD			